

Entrance Pin Code (this number can be changed)

Press [1 2 3 4] (door is unlocked, 1 beep, green light on)

Start Program Mode

Press [*] + [9 9 0 1 0 1] , 2 beeps green on (this number can be changed)

- Choose a Function 1-5 you would like to change and follow the steps. -
Example: Add a Card or Fob ...Function 1

Function 1 : Add a Card or Fob

Press [5] + [present card or fob] , 3 beeps
present another card or fob , 3 beeps or EXIT PROGRAM MODE
(Press [*], 2 beeps)

Function 2 : Delete a Card or Fob

Press [7] + [present card or fob] , 3 beeps
present another card or fob , 3 beeps or EXIT PROGRAM MODE
(Press [*], 2 beeps)

Function 3 : Delete All Cards/Fobs (restore factory default)

Press [8 6] , 3 beeps
(all cards must be added back using Function 1)
(If cards are not available type in the 8 digit card # on file)
EXIT PROGRAM MODE (Press [*], 2 beeps)

Function 4 : Open door with PIN Code -or- Card/Fob

Press [1] + [0]
EXIT PROGRAM MODE (Press [*], 2 beeps)

Function 5 : Open door with PIN Code -and- Card/Fob

Press [1] + [1]
EXIT PROGRAM MODE (Press [*], 2 beeps)

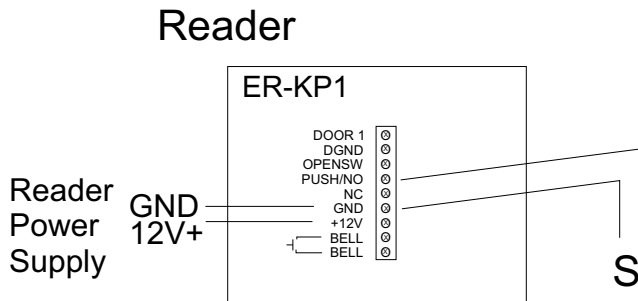
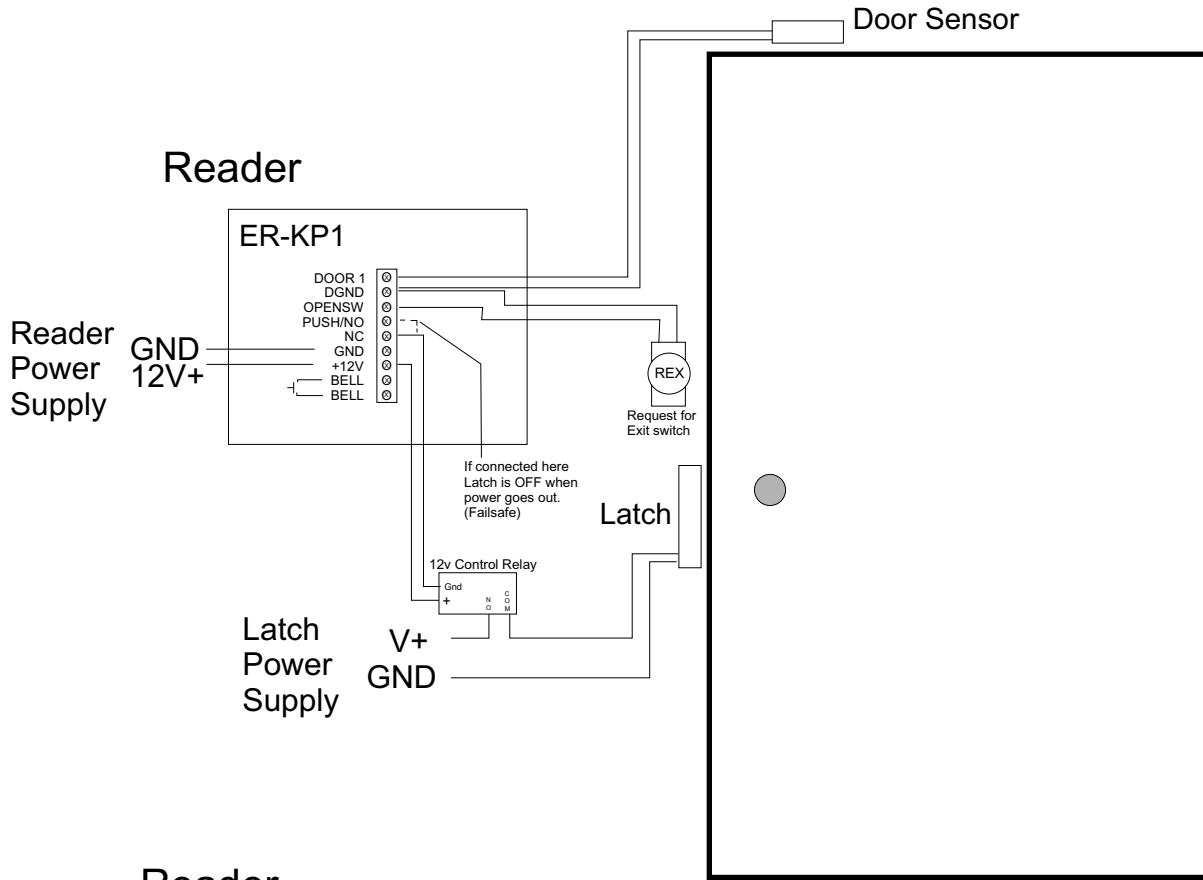
EXIT PROGRAM MODE ---Press [*] , 2 beeps---

You can also see Detailed Instructions for these Functions:

- Set Lock Open Time (more time for entry)
- Set Anti-Break Alarm (sound when vandalised)
- Set Alarm On/Off (when door is left open)
- Change 4 digit Pin Code at top of page
- Change Program Mode 6 digit number

ER-KP1

Wiring Diagram



Simply Connect to Gate Open Switch or Open Garage Door Switch (Inside Garage)

